

# DUNAVOX

## INSTRUCTION MANUAL COMPRESSOR DRIVEN WINE COOLER

DX-7.22SK  
DX-19.58SK  
DX-24.56BBK  
DX-24.56BSK  
DX-41.130BBK  
DX-41.130BSK  
DX-46.145BK  
DX-46.145SK  
DX-94.270DBK  
DX-94.270DSK  
DX-181.490DBK  
DX-181.490DSK

*This manual contains important information including **safety and installation instructions** about the appliances. Please read it carefully before use and follow all the safety information & instructions.*


*It is recommended that you keep this manual for reference so that you are familiar with the operation of the appliance.*

**--CONTENTS--**

<b>IMPORTANT SAFETY INFORMATION .....</b>	<b>2</b>
<b>STRUCTURE AND INSTALLATION .....</b>	<b>3</b>
BUILT-UNDER SERIES (Built under a kitchen surface) .....	3
BUILT-IN-COLUMN SERIES (Built into a kitchen cabinet).....	5
FLOOR-STANDING SERIES.....	7
<b>ACCESSORY INSTALLATION BEFORE OPERATION.....</b>	<b>8</b>
UNPACKING AND CLEANING THE WINE COOLER.....	8
LOCK & UNLOCK THE DOOR (OPTIONAL).....	8
<b>OPERATING THE WINE COOLER .....</b>	<b>8</b>
WORKING CLIMATE.....	8
WINE STORAGE.....	9
CONTROL PANEL.....	10
POWER ON/OFF.....	10
UNLOCKING THE CONTROL PANEL.....	10
INTERIOR LIGHTING ON/OFF.....	11
TEMPERATURE DISPLAY WINDOW.....	11
TEMPERATURE SETTING.....	11
SELECTING FAHRENHEIT (°F) & CELSIUS (°C) DISPLAY.....	11
<b>CARE AND MAINTENANCE .....</b>	<b>12</b>
POWER FAILURE.....	12
MOVING THE WINE COOLER.....	12
ENERGY SAVING TIPS.....	12
<b>TROUBLESHOOTING.....</b>	<b>13</b>
<b>REVERSE THE DOOR SWING .....</b>	<b>14</b>
FOR BUILT-UNDER SERIES.....	14
FOR BUILT-IN-COLUMN SERIES.....	17
FOR FREE-STANDING SERIES.....	18
<b>ENERGY LABEL.....</b>	<b>23</b>

## IMPORTANT SAFETY INFORMATION

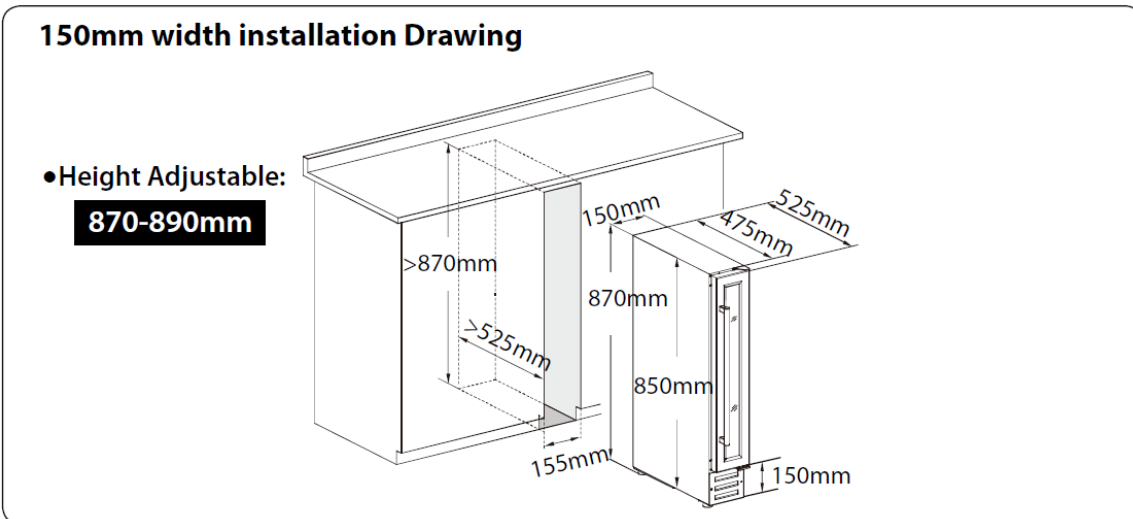
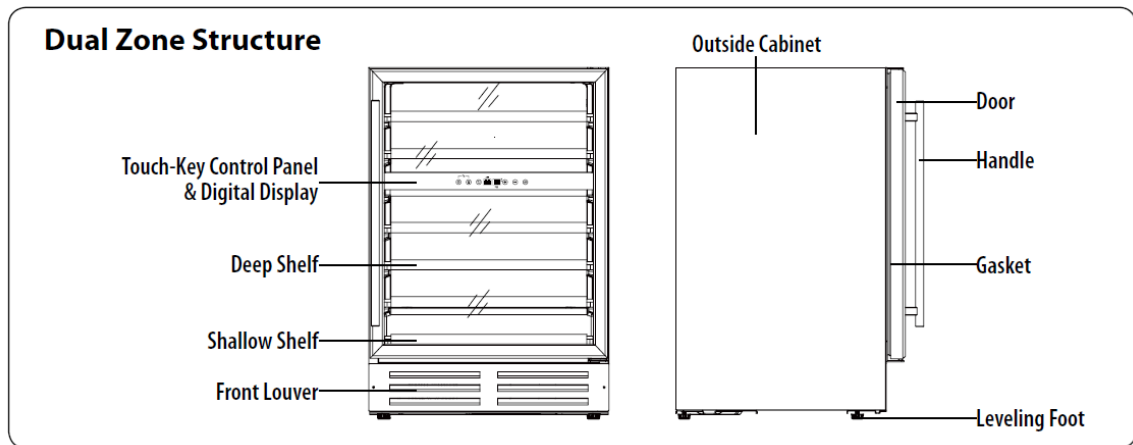
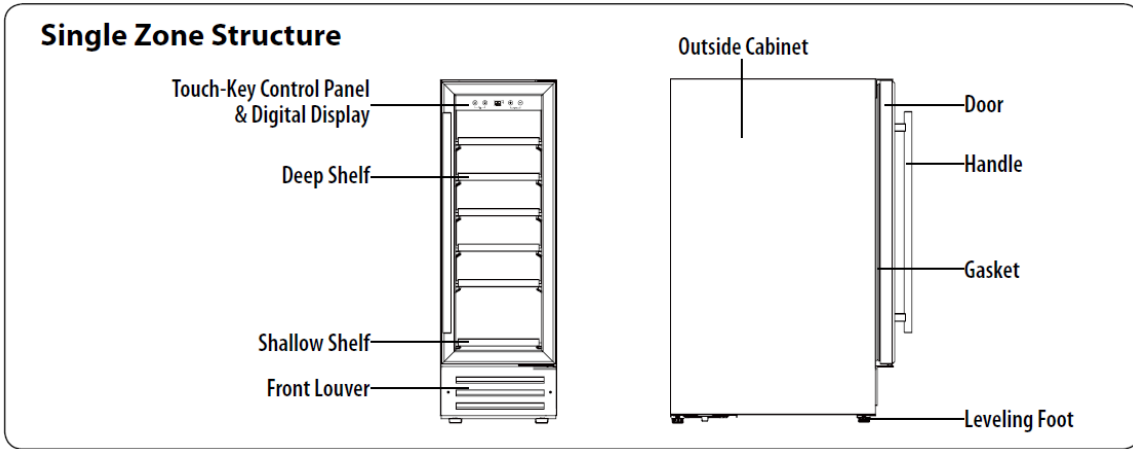
Before using the appliance, please properly position and install it as described in this manual. To avoid the risk of fire, electrical shock, or injury when using the appliance, follow these basic precautions:

- The appliance is intended to be used exclusively for the storage of wine.
- Make sure the voltage/current marked on the rating label corresponds with your supply voltage. Plug into a grounded 3-pin outlet, do not remove grounding pin, do not use an adapter, and do not use an extension cord.
- It is recommended that a separate circuit, serving only your appliance be provided.
- Never clean the appliance parts with flammable fluids which may create a fire hazard or explosion. And do not store or use gasoline or other flammable vapors and liquids in the vicinity of the appliance.
- Do not connect or disconnect the electric plug when your hands are wet.
- Unplug the appliance or disconnect power before cleaning, maintenance or servicing. Failure to do so can result in electrical shock or death.
- Do not attempt to repair or replace any part of the appliance unless it is specifically recommended in this material. All other servicing should be referred to a qualified technician.
- Ensure enough people to move and install the appliance to avoid any damage to the appliance or injury to the people.
- To ensure proper ventilation for the appliance, the front of the unit must be completely unobstructed. Locate the unit away from direct sunlight and sources of heat (stove, heater, radiator, etc.).
- The fuse (or circuit breaker) size should be 10 amps or higher.
- It is important for the appliance to be leveled in order to work properly. You may adjust the appliance's feet to level it.
- This appliance is intended for use by people with sufficient experience and knowledge of electrical appliances. Any other people (including children) should be supervised or given instruction concerning use of the appliance by a person responsible for their safety.
- Children should be supervised to ensure that they do not play with the appliance.
- Do not use solvent-based cleaning agents or abrasives on the interior. These cleaners may damage or discolor the interior.
- Do not use this appliance for other than its intended purpose.
- The use of attachments not recommended by the manufacturer may be hazardous.
- When you dispose of the appliance, take off the door and leave the shelves in place so that children may not easily climb inside. And make sure the coolant circuit, particularly the heat exchanger at the back/bottom of the unit is not damaged. The  symbol on the product or its packaging indicates that this product is not to be handled as normal household waste and it is to be taken to a recycling collection point for electrical and electronic goods.

# STRUCTURE AND INSTALLATION

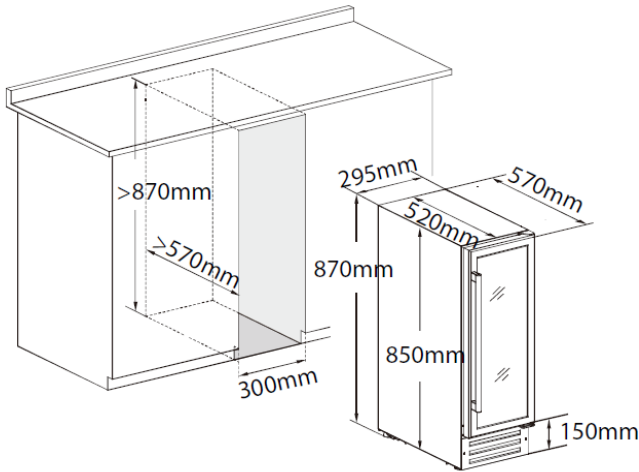
The following pictures only show the structure of the appliance. The dimension and shelf quantity may differ among the models of the same series.

## BUILT-UNDER SERIES (Built under a kitchen surface)



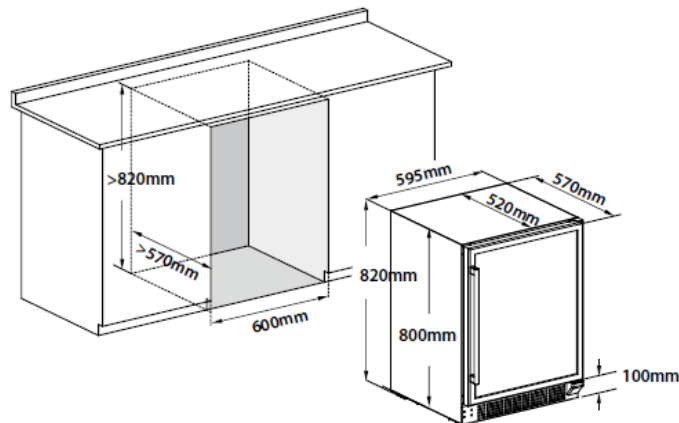
### 295mm width installation Drawing

- Height Adjustable: **870-890mm**

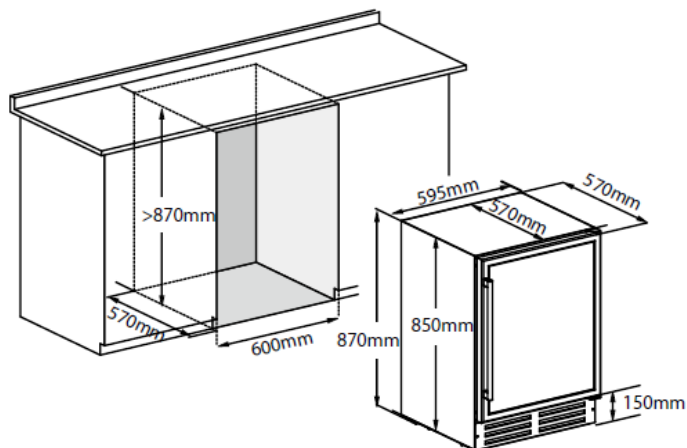


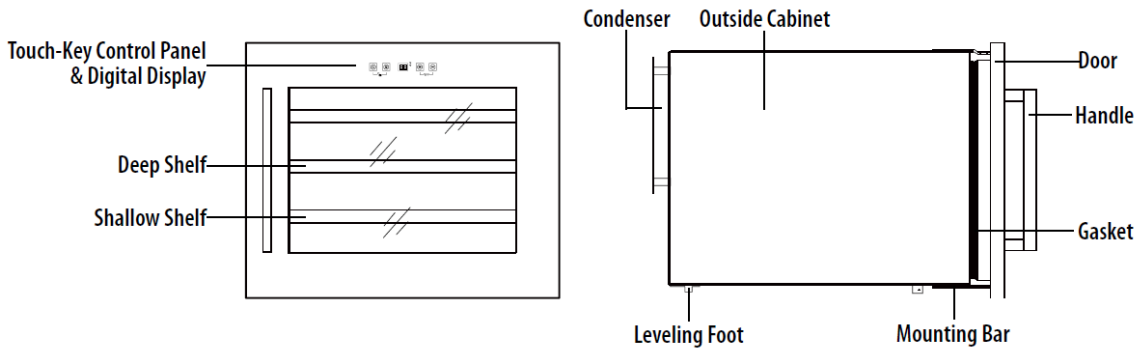
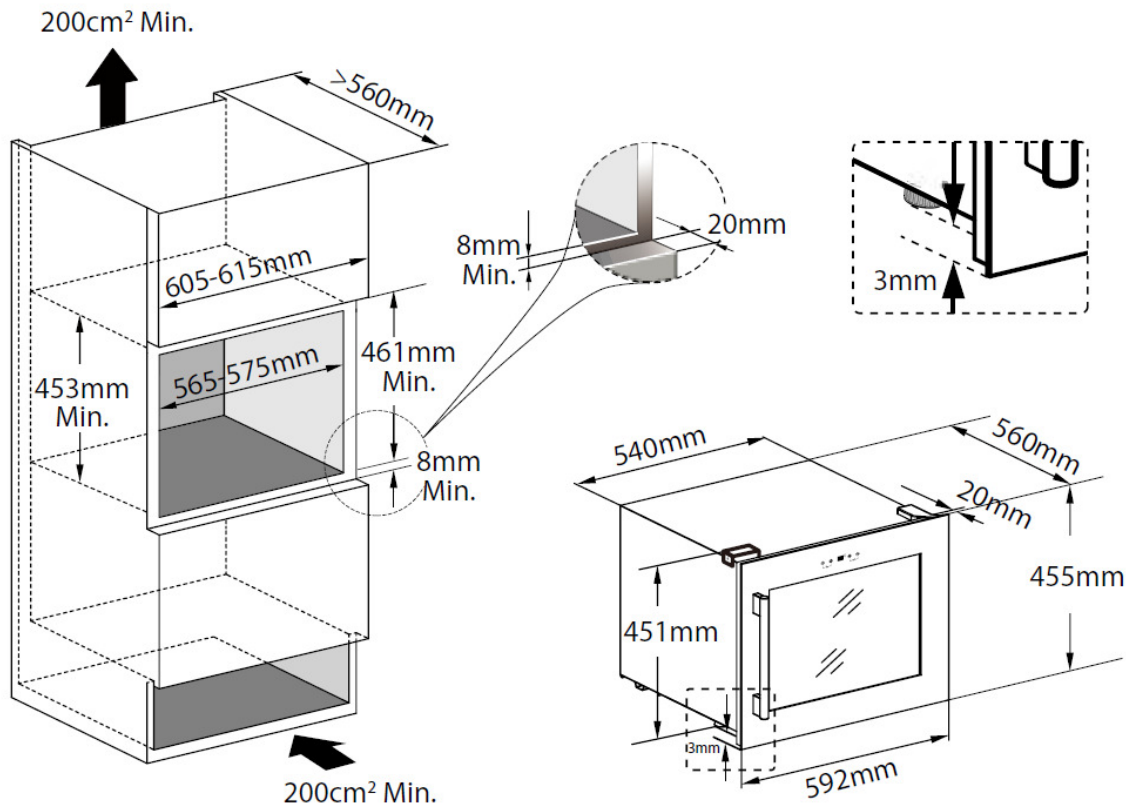
### 595mm width installation Drawing

- Height Adjustable: **820-850mm**

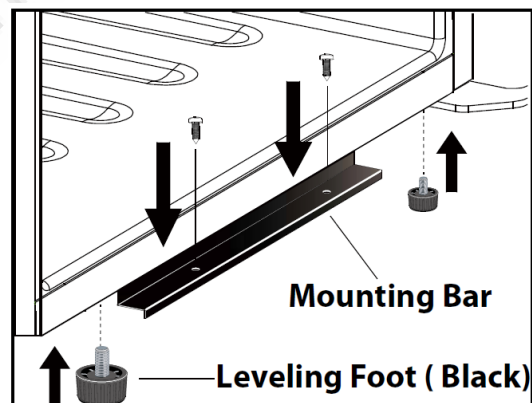


- Height Adjustable: **870-890mm**

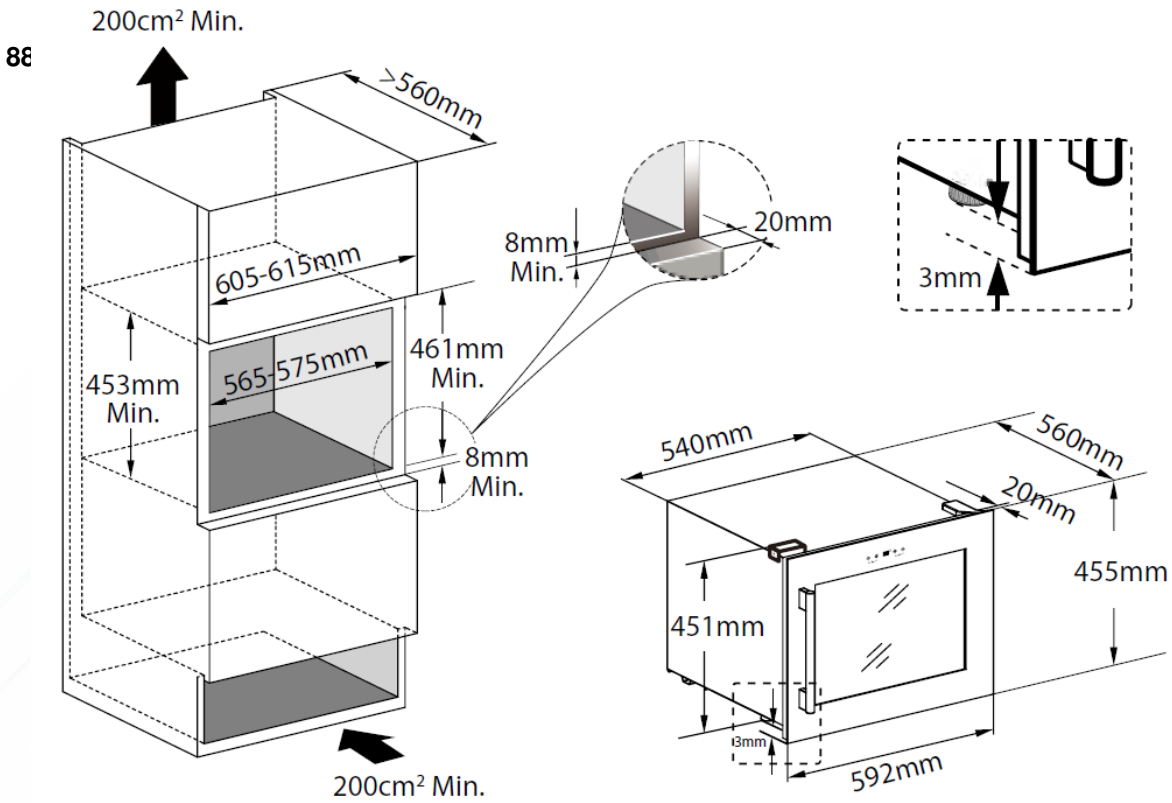
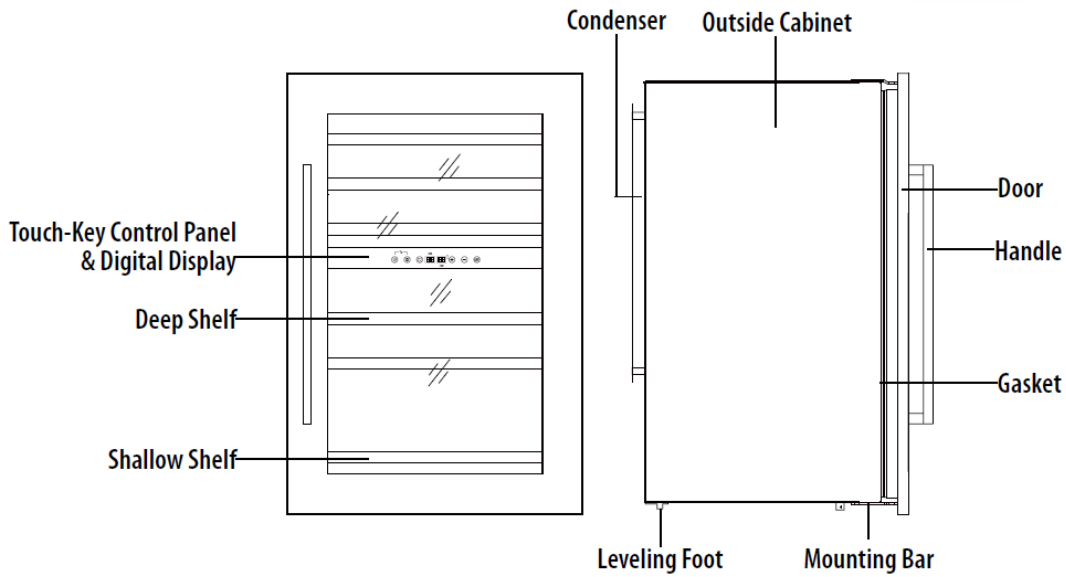


**BUILT-IN-COLUMN SERIES (Built into a kitchen cabinet)****Single Zone Structure****455mm Height --Installation Drawing**

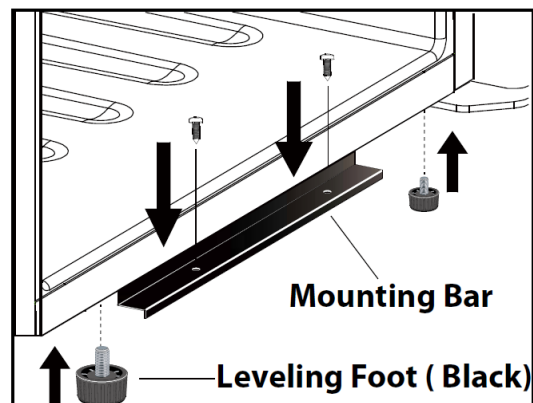
- 1 Before inserting the unit into the kitchen cabinet, please unscrew the original 4 leveling feet **(in white)**, and screw the 2 short leveling feet **(in black)**, which are packed as an accessory, to the base of the unit.
2. Tighten the 2 screws to fix the **Mounting Bar** (which has been fixed on the base of the unit) to the kitchen cabinet. See drawing to the right.



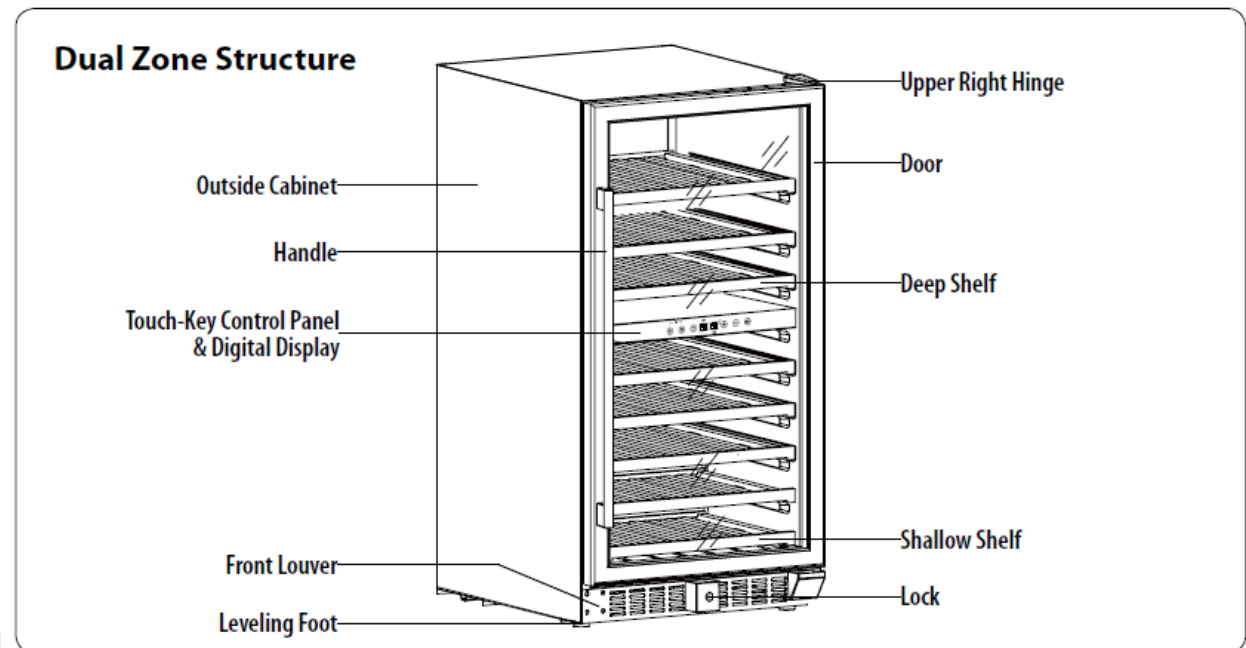
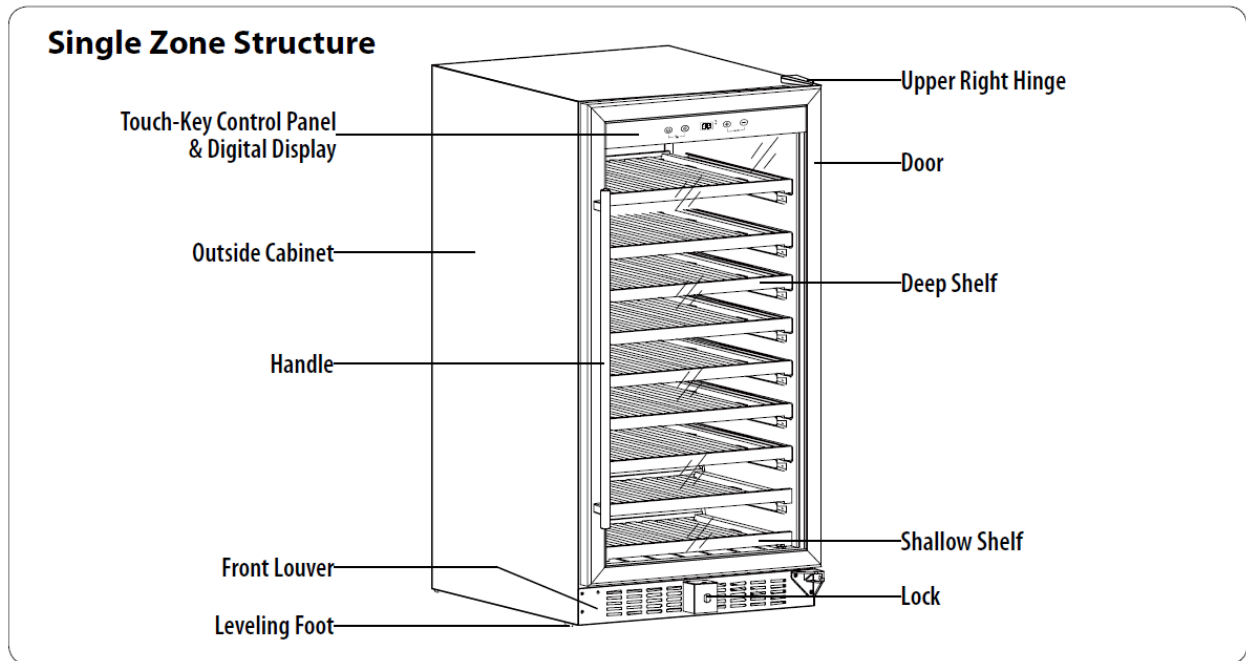
**Dual Zone Structure**



- 1 Before inserting the unit into the kitchen cabinet, please unscrew the original 4 leveling feet **(in white)**, and screw the 2 short leveling feet **(in black)**, which are packed as the accessory, to the base of the unit.
2. Tighten the 2 screws to fix the **Mounting Bar** (which has been fixed on the base of the unit) to the kitchen cabinet. See drawing to the right.



## FLOOR-STANDING SERIES



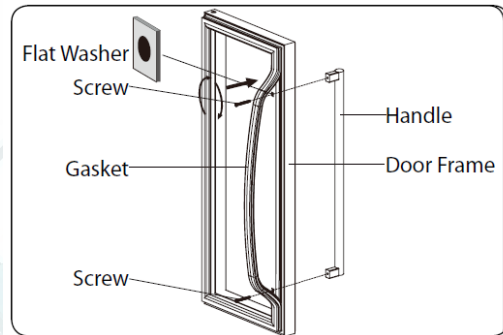


## ACCESSORY INSTALLATION BEFORE OPERATION

### UNPACKING AND CLEANING THE WINE COOLER

- Remove the exterior and interior packing materials.
- Let the appliance stand upright for approximately **24 hours** before connecting it to the power source, which helps to reduce the possibility of a cooling-system malfunction from movement during transport.
- Use a soft cloth to clean the interior surface with lukewarm water.
- Install the door handle provided with the appliance by following these steps:

- 1st Step -Remove the rubber gasket on the door to expose the two screw holes.
- 2nd Step -Install the handle with the screws and washers provided.
- 3rd Step -Replace the gasket by pressing into place.



### LOCK & UNLOCK THE DOOR (OPTIONAL)

- A Lock is optional . If your Wine Cooler has a lock, a key should be attached inside the packing of this Manual.
- Insert the key into the lock and turn it counter-clockwise to unlock the door. To lock it, please follow the revers operation. Please save the key.

## OPERATING THE WINE COOLER

### WORKING CLIMATE

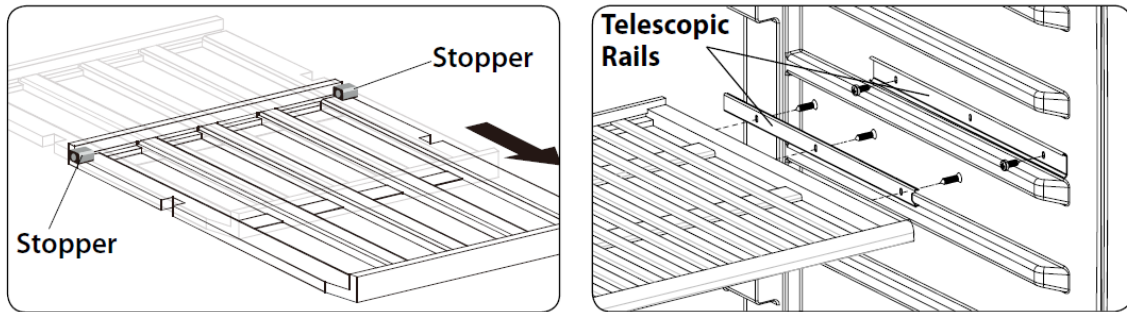
- The appliance is designed for operating from SN to N climate (see below climate class chart). It is recommended to maintain the ambient around 22-25°C which helps the appliance working with less power consumption.

Climate Class	Ambient Temperature
SN	10 - 32 °C (50°F-90°F)
N	16 - 32 °C (61°F-90°F)
ST	18-38 °C (64°F-100°F)
T	18-43 °C (64°F-109°F)

- If the ambient temperature is above or below the designed climate range, the performance of the unit may be affected. For example, the appliance operating in extreme cold or hot conditions may cause interior temperatures to fluctuate, and the internal temperature set 5-22°C may not be reached.

## WINE STORAGE

- The standard shelves are designed perfectly for Bordeaux bottles. The maximum loaded bottles may vary subject to the different size or dimension wine bottles you store.
- The shelves can be pulled out approximately by 1/3 for easy access to the wine storage. There are two designs for the pull-out shelves:
  1. Shelves without telescopic rails, but with a plastic **Stopper** on each sides of the shelf track to prevent bottles from falling.
  2. Shelves with **Telescopic Rails** which stop by themselves.

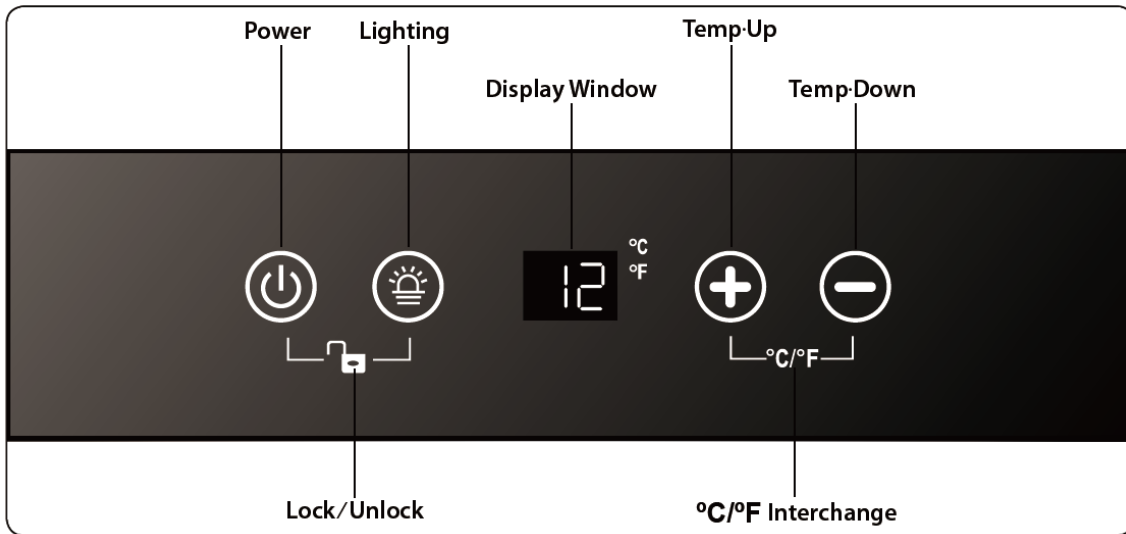


- To prevent damaging the door gasket, make sure you have the door open fully before pulling the shelves out.
- Please store wine in sealed bottles.
- Do not cover the shelves with aluminum foil or any other shelf material which may prevent air circulation.
- Should the wine cooler be left empty for long periods it is suggested that the appliance is unplugged, and after careful cleaning, leave the door ajar to allow air to circulate inside the cabinet in order to avoid possible condensation, mold or odors forming.
- Recommended temperatures for chilling/storing your wines.

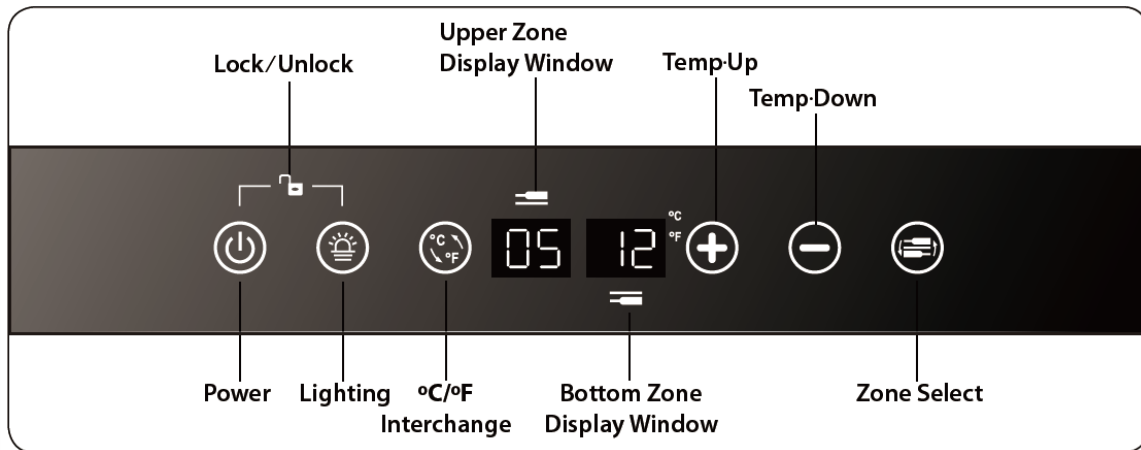
Wine Type	Recommender Temp.
Red Wine	15 - 18°C (59°F-64°F)
Dry/White Wine	9 - 14°C (48°F-57°F)
Rosé Wine	10 - 11°C (50°F-52°F)
Sparkling Wine	5 - 8°C (41°F-46°F)

## CONTROL PANEL

### • For Single Zone



### • For Dual Zone



## POWER ON/OFF

- When the appliance is plugged in to a power outlet, it powers on automatically.
- Touch the power symbol (⏻) and hold for **10 seconds** to turn off (or turn on) the appliance.
- Even if the unit is locked or unlocked, you can turn off the appliance by touching the power symbol (⏻) and hold for **10 seconds**.




**Warning:** To avoid damaging the compressor, please do not turn on the appliance again within **5 minutes** of turning it off.

## UNLOCKING THE CONTROL PANEL

- To unlock the control panel, touch the power symbol and lighting symbol (⏻) (💡) with 2 fingers at the same time and hold for **3 seconds**. When unlocked a buzzing sound will be heard.
- The control panel will be automatically locked with a buzzing sound after **10 seconds** without being touched.
- When locked, the control panel will not react to any touch for Lighting or Power or Temperature Settings.

## INTERIOR LIGHTING ON/OFF

- When locked, touch the lighting symbol  to turn on (or turn off) the interior cool LED lighting.
- The lighting will be on continuously if it is not turned off.

## TEMPERATURE DISPLAY WINDOW






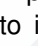
- The temperature is displayed digitally for accuracy. The display is shown as the set temperature when you are setting the temperature, and it will display the internal temperature of the cabinet after **10 seconds** without being touched.
- If the temperature probe is malfunctioning, the display window will show w“HH” or “LL” instead of a figure while a continuous buzzing sound will be heard. If this happens, this appliance is designed to keep running periodically which helps to keep the inside cabinet cool to protect your stored wine.






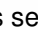

**Warning:** To avoid damaging your wine, it is strongly recommended to have the appliance repaired immediately, as the periodic running can not ensure the appliance achieves the temperature you have set.

## TEMPERATURE SETTING



### For Single Zone

- The temperature setting range is 5-22 °C (41-72 °F).
- Directly touch the  or  symbol to set the wine cooler temperature as you want.
- The first touch of the  or  symbol will recall the previous set temperature displayed in the display. If the appliance runs after a power failure (or unplugging), the previous set temperature does not exist and is replaced by the default temperature at 12°C.
- Touch the symbol  to increase the set temperature by 1°C. Alternatively, touch the  symbol to decrease the set temperature by 1°C.
- The display will change to the internal temperature of the cabinet after **10 seconds** without being touched.

### For Dual Zone

- The temperature setting ranges are 5-12 °C (41-54 °F) for the upper zone and 12-22 °C (54-72 °F) for the lower zone.
- You need to select the desired zone by touching the symbol  before touching the  or  symbols to set the desired temperature. A flashing display indicates the zone is ready for temperature setting.
- The first touch of the  or  symbols will recall the previous set temperature displayed



If the appliance runs after a power failure (or unplugging), the previous set temperature is not retained and is replaced by the default temperature at 10°C for the upper zone & 16°C for the lower zone.

- Touch the  symbol to increase the set temperature by 1°C (or by 1°F). Alternatively, touch the  symbol to decrease the desired temperature by 1°C (or by 1°F).
- The display will change to the internal temperature of the cabinet after **10 seconds** without being touched.


**Note:** When first using the appliance or to restart the appliance after having been shut off for a long time, you may find a few degrees variation between the set temperature and the displayed temperature. It is normal and the appliance will function well after a running for a few hours.

## SELECTING FAHRENHEIT (°F) & CELSIUS (°C) DISPLAY

### For Single Zone

Touch the   symbols with 2 fingers at the same time and hold for 5 seconds, you can interchange the Fahrenheit and Celsius display.

### For Dual Zone

Directly touch the  symbol, you can interchange the Fahrenheit and Celsius display for both zones at the same time.

## CARE AND MAINTENANCE

### CLEANING THE WINE COOLER

- Turn off the power, unplug the appliance, and remove all items including shelves.
- Wipe the inside surfaces with a sponge and baking soda solution. The solution should be about 2 tablespoons of baking soda to a quart (approx. 1litre) of warm water.
- Wash the shelves with a mild detergent solution. Allow wooden shelves to dry before placing back into the wine cooler.
- Wring excess water out of the sponge or cloth when cleaning area of the controls, or any electrical parts.
- Wipe the outside cabinet with warm water and mild liquid detergent. Wipe dry with a clean soft cloth.
- Do not use steel wool or steel brush on the stainless steel. These will contaminate the stainless steel with steel particles and rust may occur.

### POWER FAILURE

Most power failures are corrected within a few hours and should not affect the temperature of your appliance if you minimize the number of times that the door is open. If the power is going to be off for a longer period, you may like to take the proper steps to protect the contents.

### MOVING THE WINE COOLER

- Remove all items.
- Securely tape down all loose items (shelves) inside your appliance.
- Shorten the adjustable legs into the base to avoid damage.
- Tape the door shut.
- Be sure the appliance stays secure in the upright position during transport. Also protect outside of appliance with a blanket, or similar item.

### ENERGY SAVING TIPS

- The appliance should be located away from heat producing appliances, and away from direct sunlight.
- Ensure that the unit is adequately ventilated. Never cover air vents.
- Only open the door when necessary. Avoid leaving the door open for long periods or opening/closing the door frequently.

## TROUBLESHOOTING

If you feel the appliance is out of order, follow these instructions to try to see if you can solve the problem simply by yourself before calling for service.

No.	PROBLEM	PROBLEM POSSIBLE CAUSE / MEASURE
1	The wine cooler does not operate	Not plugged in. The appliance is turned off. The circuit breaker tripped or a blown fuse.
2	The wine cooler is not cold enough	Check the temperature control setting. External environment may require a higher setting. The door is opened too frequently. The door is not closed completely. The door gasket does not seal properly.
3	Automatically turn-on and turn-off frequently	The room temperature is hotter than normal. A large amount of contents has been added to the wine cooler. The door is opened too frequently. The door is not closed completely. The temperature control is not set correctly. The door gasket does not seal properly.
4	The lighting does not work	Not plugged in. The circuit breaker tripped or a blown fuse. The lighting is turned off.
5	Too much vibration	Check to assure that the appliance is level. Check to assure no parts inside the cabinet or in the compressor chamber are loose.
6	The wine cooler seems to make too much noise	The rattling noise may come from the flow of the refrigerant, which is normal. As each cycle ends, you may hear gurgling sounds caused by the flow of refrigerant. Contraction and expansion of the inside walls may cause popping and crackling noises. The appliance is not level.
7	The door will not close properly.	The wine cooler is not level. The door was reversed and not properly installed. The gasket is dirty. The shelves are out of position.
8	The display window is shown with "HH" or "LL" instead of a digital figure, and/or with continuous buzz sound.	The temperature probe is out of order.

## REVERSE THE DOOR SWING

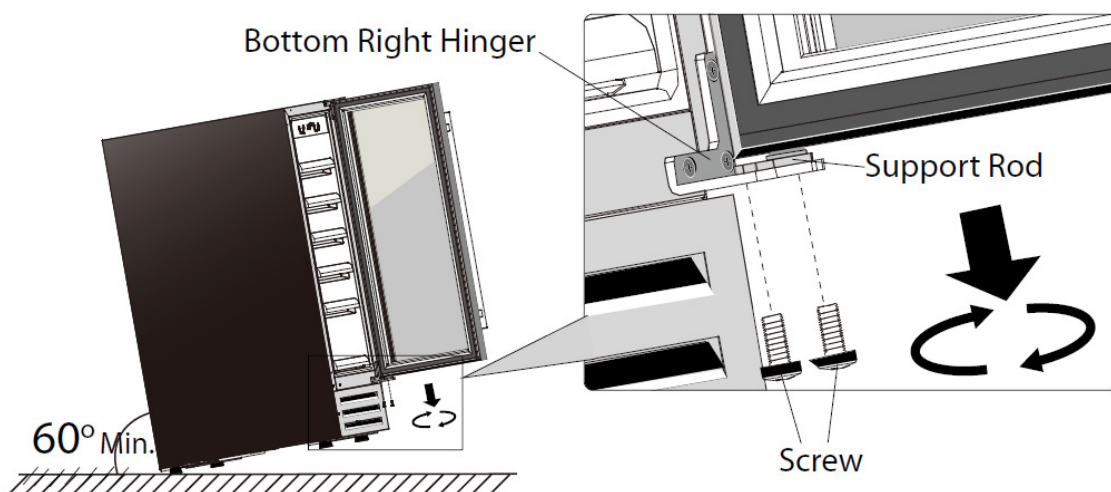
### FOR BUILT-UNDER SERIES

#### Remarks:

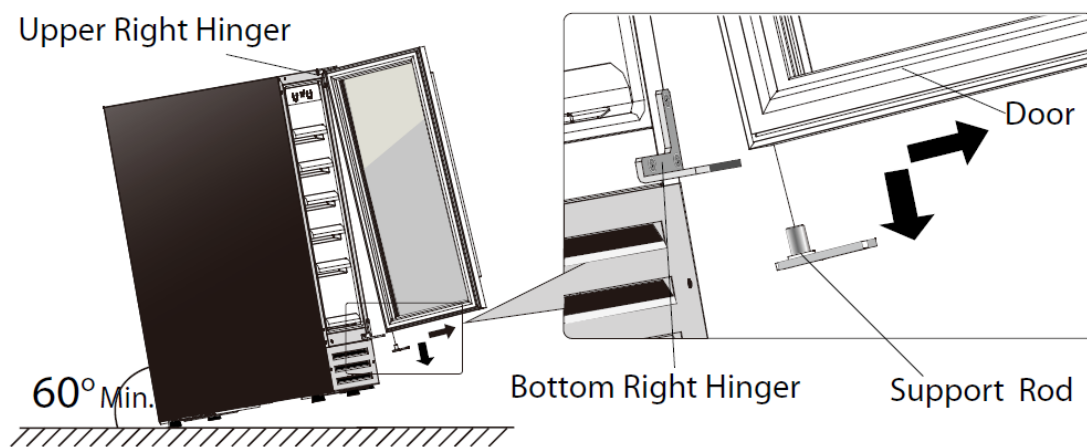
- Reversing the door is only available for a unit with 870mm height, and with control panel inside the cabinet.
- The instruction is based on a unit with right door hinge installed already.
- To reverse the door from right hinge to left hinge, you need to identify the 2 supplied spare parts: an **Upper Left Hinge**, and a **Bottom Left Hinge**.

It is suggested that all spare parts are saved in case of door re-reversal.

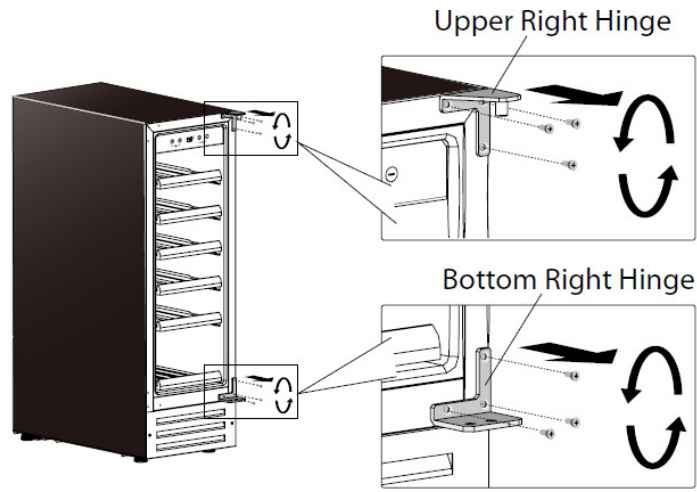
1st Step -Open the door, and loosen the 2 screws from the support rod in the Lower Right Hinge.



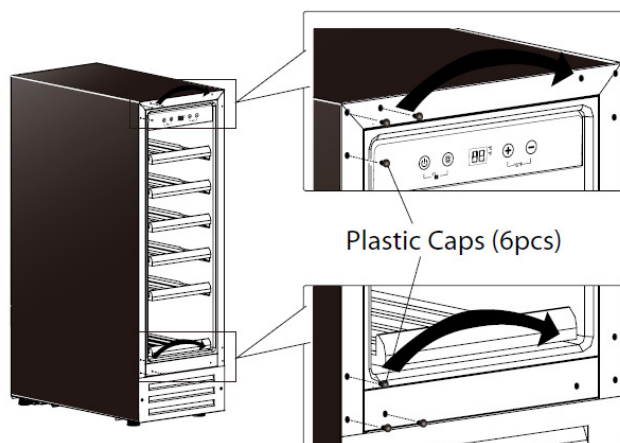
2nd Step -Carefully remove the door from the Upper Right Hinge and prevent it from scratching. Take out the support rod from the door hinge hole.



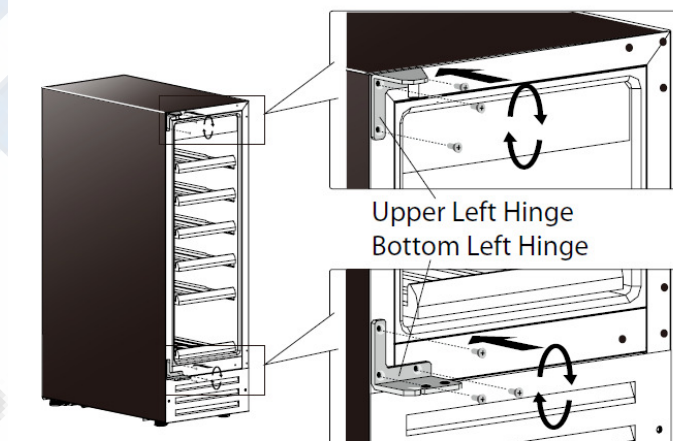
3rd Step -Unscrew the Upper Right Hinge and Bottom Right Hinge from the cabinet.



4th Step -Pull out the 6 Plastic Caps from the front left corner of the cabinet. And move them all to the right side.

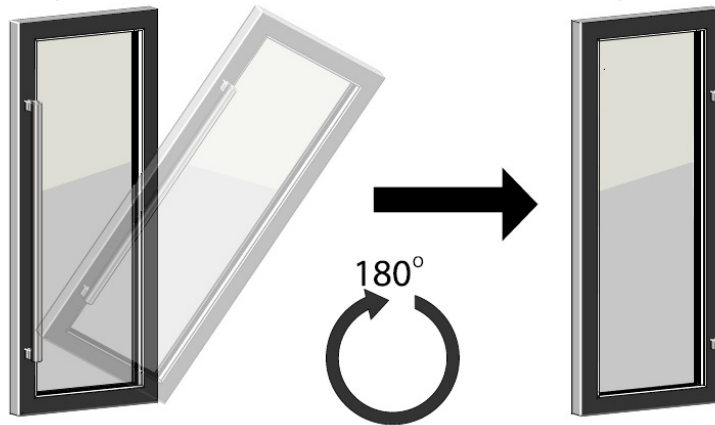


5th Step -Install the Upper Left Hinge and Lower Left Hinge to the left side of the cabinet. Make sure the screws are tightened.

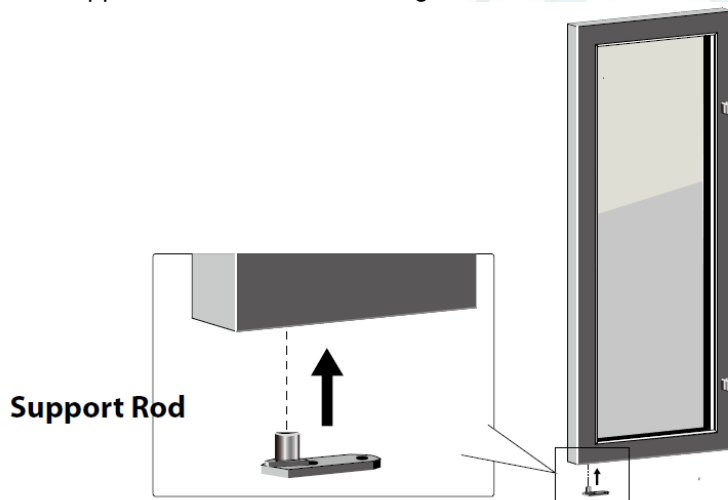




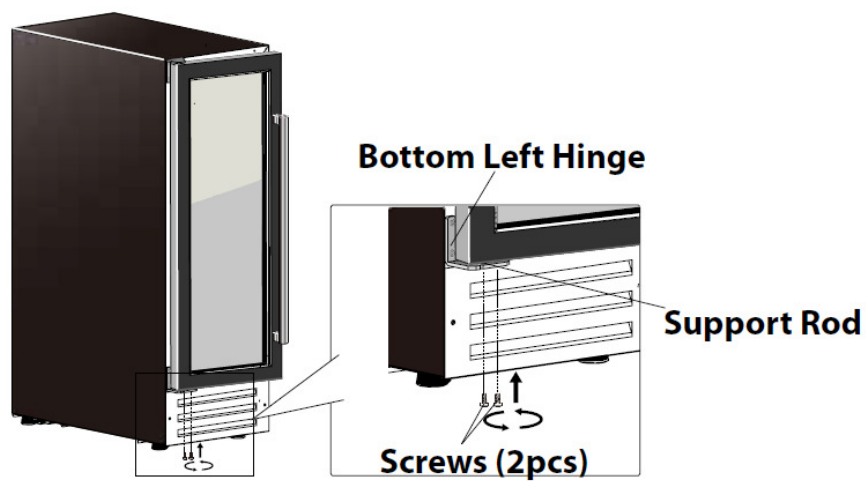
6th Step - Turn the door over by 180° (upside down) .



7th Step - Insert the Support Rod into the lower hinge hole of the door.



8th Step - Install the door to the left hinge side by tightening the Support Rod with the 2 screws.



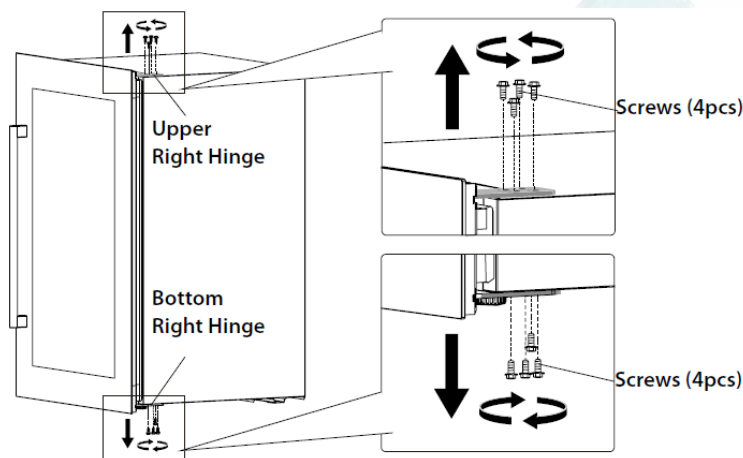
**FOR BUILT-IN-COLUMN SERIES****Remarks:**

- Reversible door is only available for a unit with control panel inside the cabinet.

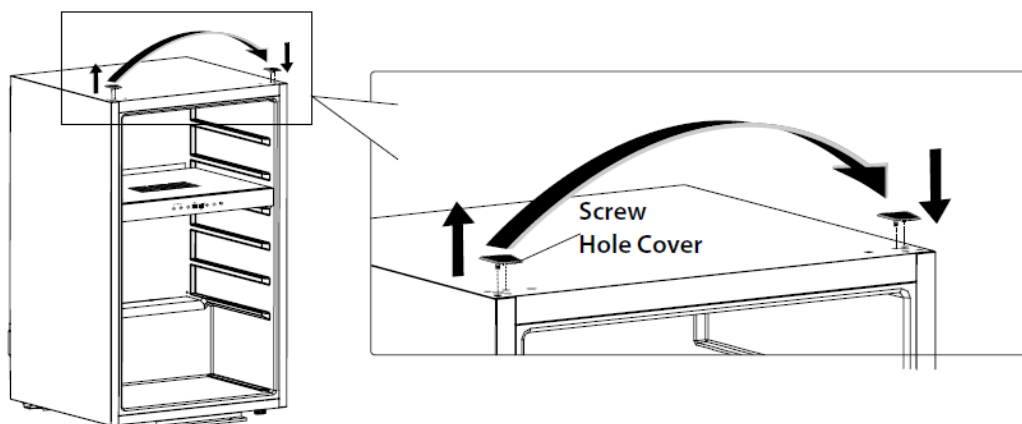
This instruction is based on a unit with Right Door Hinge installed already.

All removed parts must be saved to do the door reinstallation.

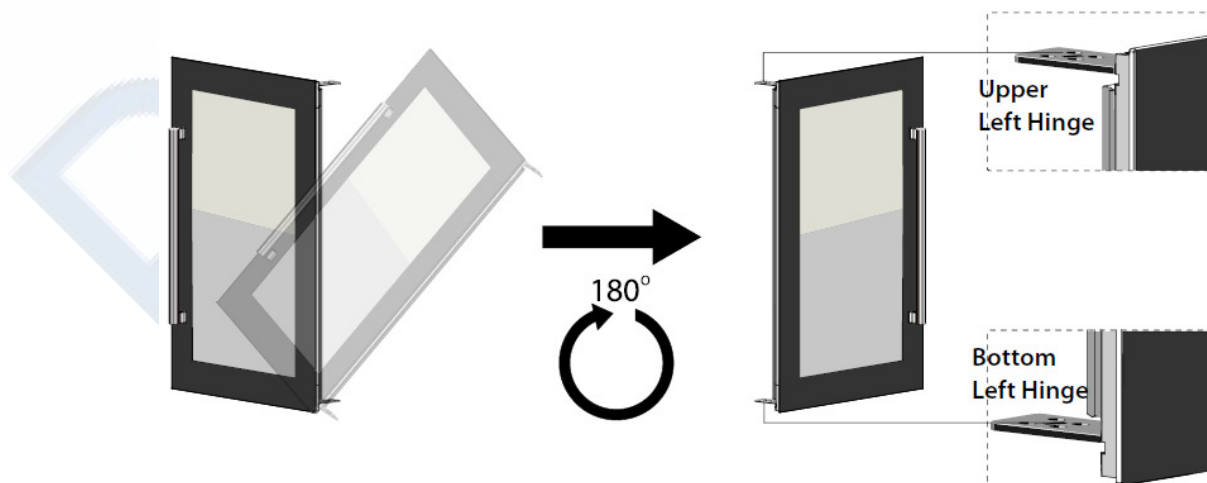
1st Step – Unscrew the 8 screws from Upper Right Hinge and Lower Right Hinge one by one;



2nd Step – Remove the Screw Hole Cover from left side and press it into right screw holes;

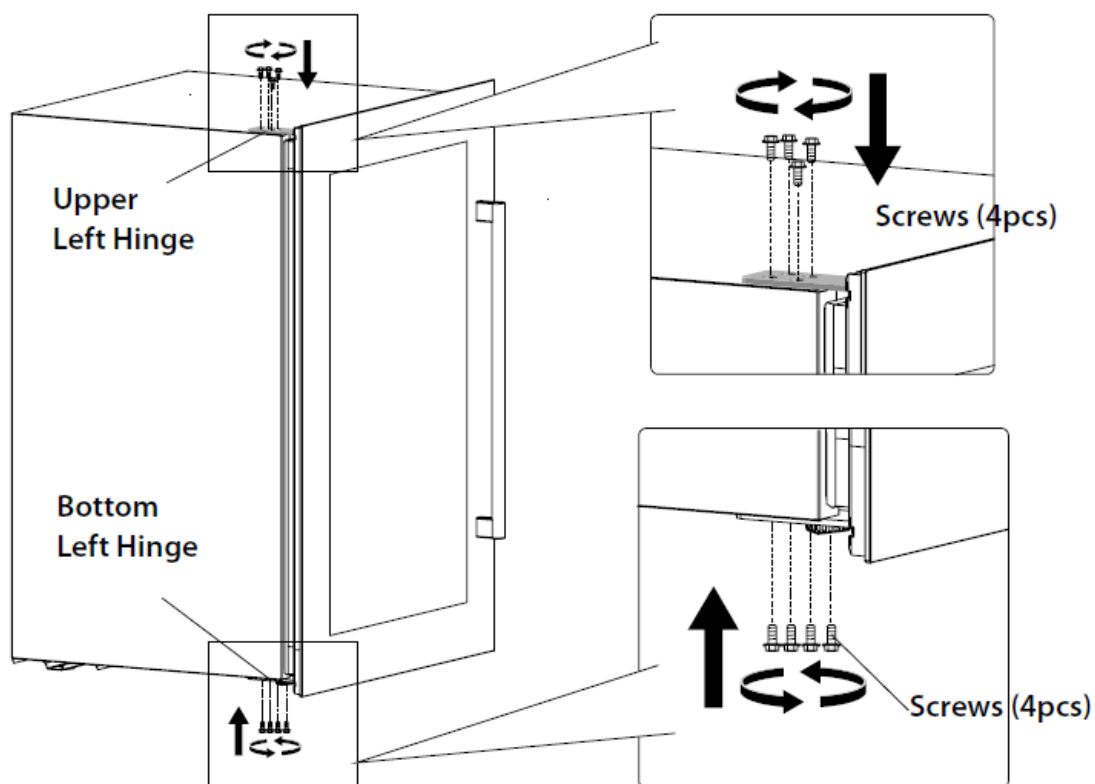


3rd Step – Turn the door over by 180° (upside down);



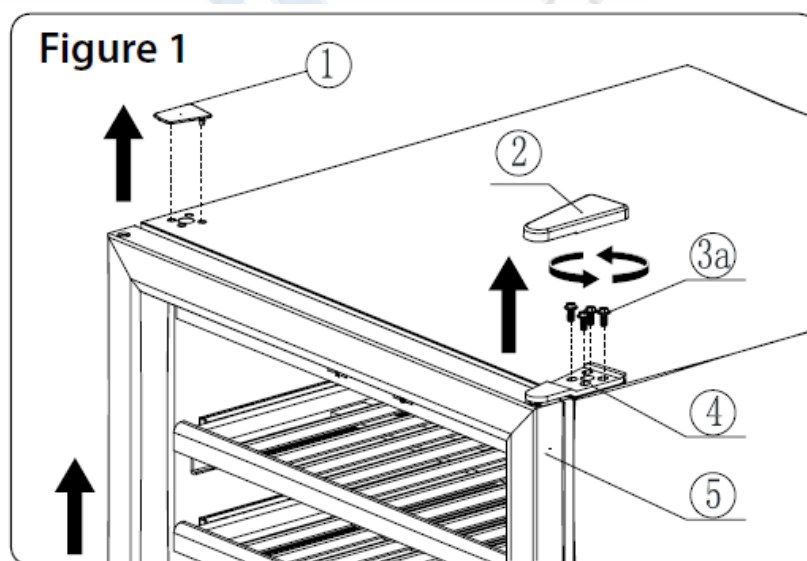
**----HOW TO REVERSE THE DOOR HINGES**

4th Step – Screw the 8 screws of Upper Left Hinge and Bottom Left Hinge tightly one by one;

**FOR FREE-STANDING SERIES****Remarks:**

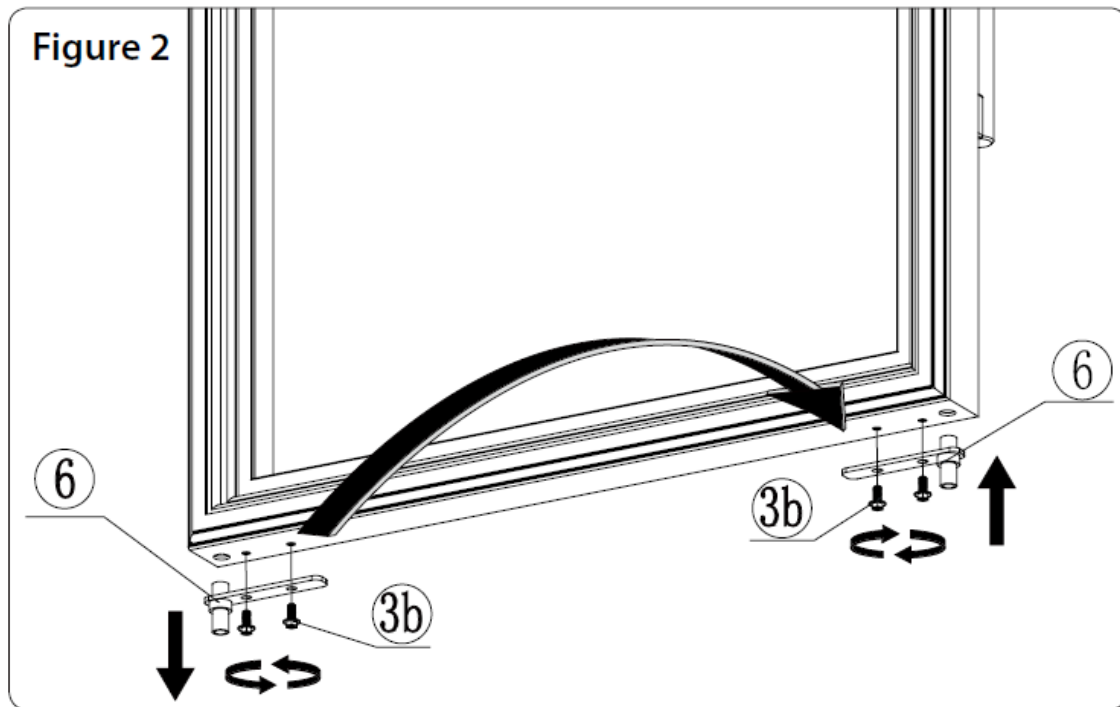
- The instruction is based on a unit with right door hinge installed already (the handle on the left side).
- All removed parts must be saved to reverse the door again.

1st step - Prize away the hinge screw holes cover A and hinge cover B with a straight screwdriver. Take out the upper hinge by loosening the screws, and lift up the whole door. See **Figure 1**.

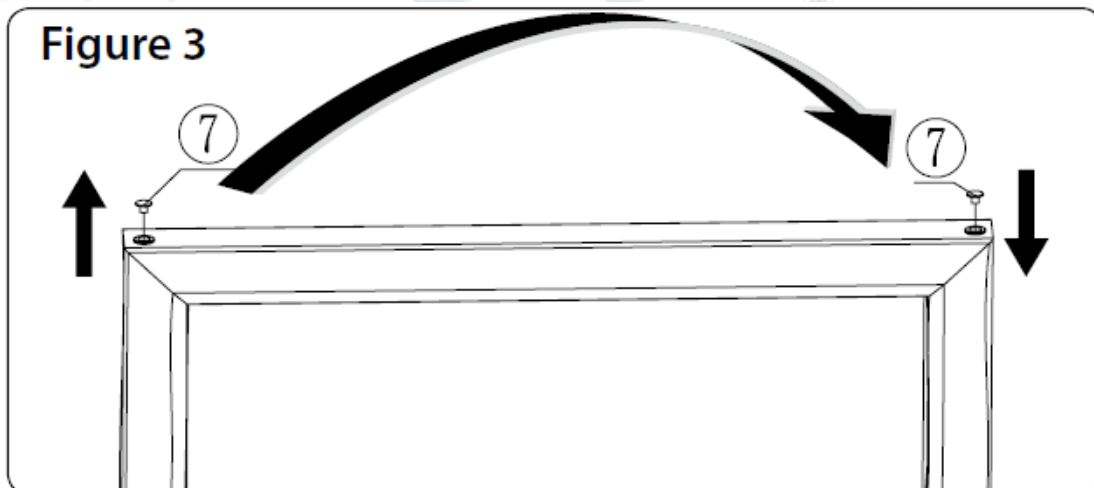


## ----HOW TO REVERSE THE DOOR HINGES

2nd step - Move the support rod F (at the bottom of the door) from the right to the left side. Move the hinge hole cover (at the top of the door) from the left side to the right side. See **Figure 2 & 3**.

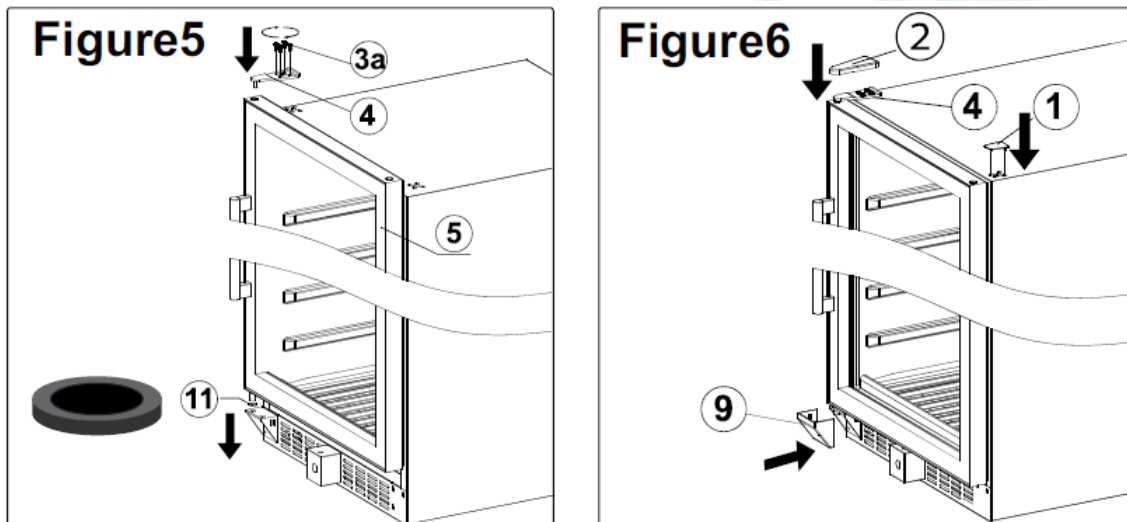


3rd step - Pull out the lower hinge cover I and take out the lower hinge by loosening the screws. Loosen the 4 screws on the lower left side. Install the lower hinge to the left side while screw the holes on the right side. See **Figure 4**.

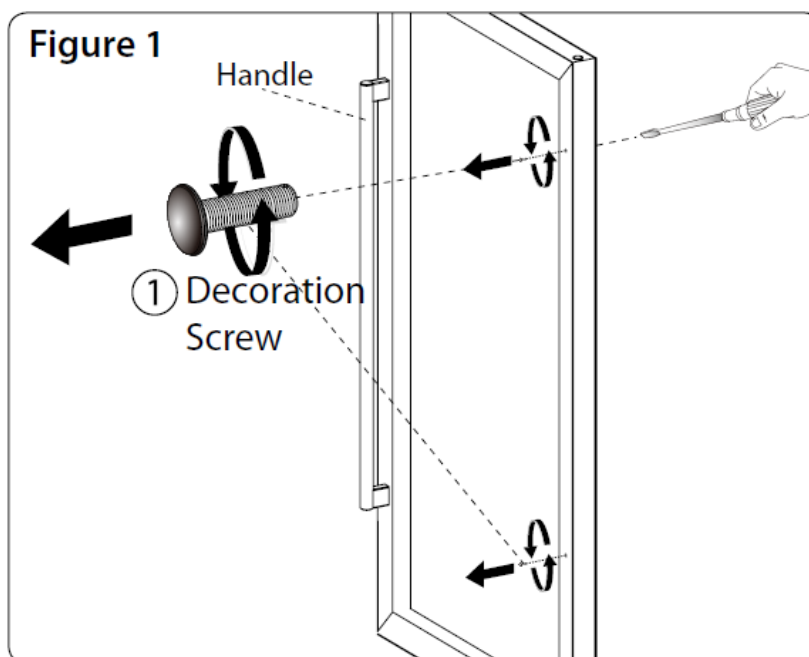


**----HOW TO REVERSE THE DOOR HINGES**

4th step - To reinstall the door to the opposite side, insert the door support rod to the bottom hinge through a washer K, and screw the upper hinge which has connected with the door. Finally, cover the hinges B as well as the hinge screw holes. See **Figure 5 & 6**.

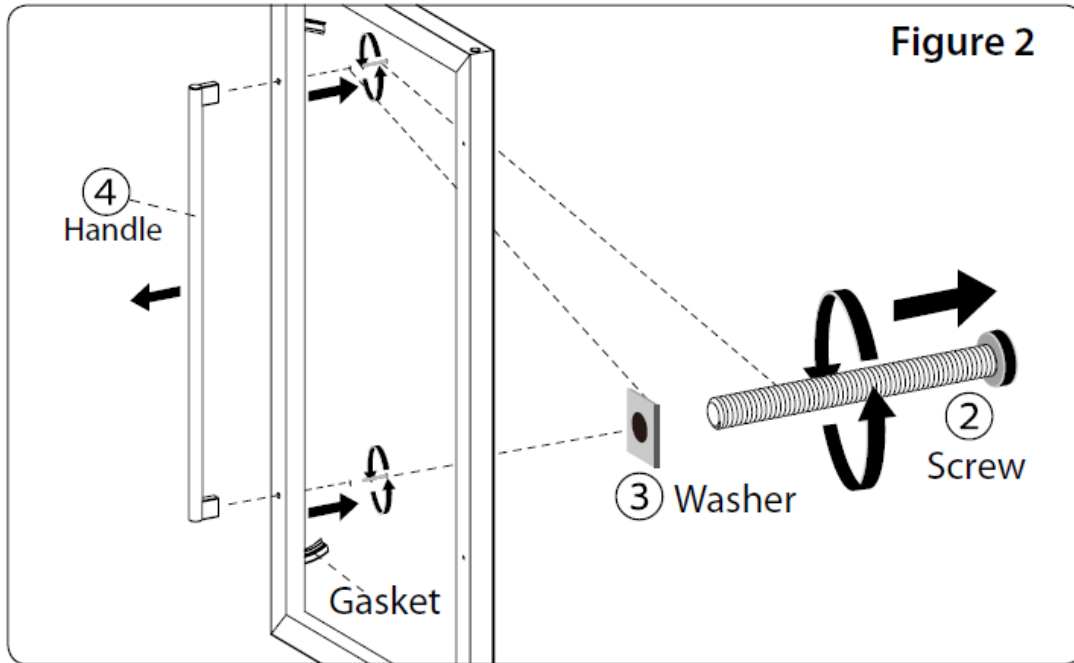


1st Step - Remove the gasket at the right inner side of the door to expose the 2 decoration screws A. Unscrew them in a clockwise direction with a straight screwdriver at first, and then loosen them in a counter-clockwise direction by fingers from the outer side of the door. Now the screw holes are ready for installing the handle to the right side. See **Figure 1**.

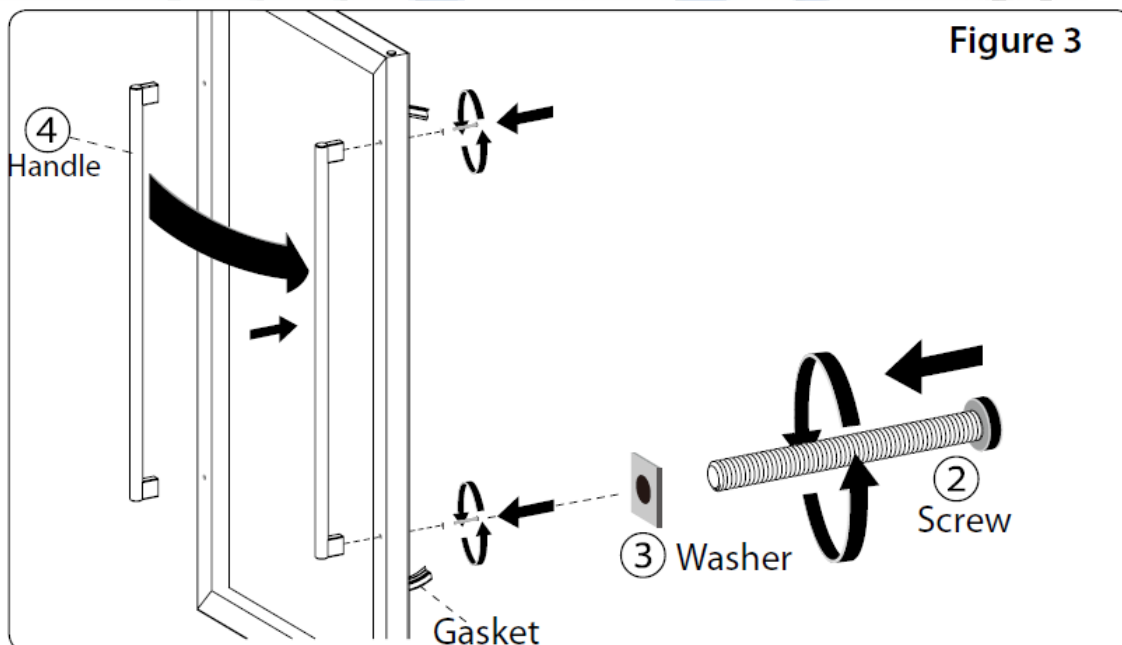


## ----HOW TO REVERSE THE DOOR HINGES

2nd Step - Remove the gasket to the left inner side of the door to expose the 2 handle screws B. Unscrew them in a counter-clockwise direction with a cross screwdriver, take out the screws and the washers C as well as the handle D. See **Figure 2**.

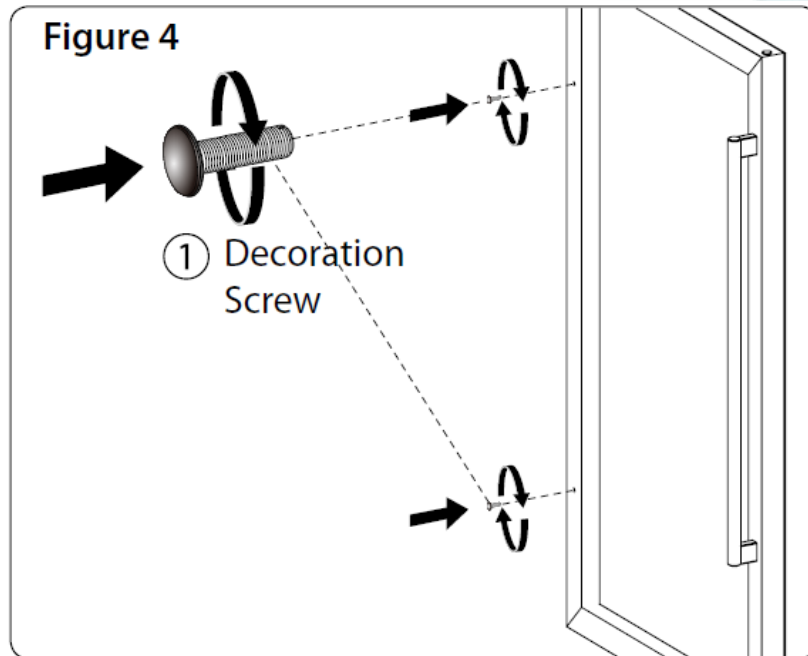


3rd Step - Install the handle to the outer right side of the door. See **Figure 3**.



## ----HOW TO REVERSE THE DOOR HINGES

4th Step - install the 2 decoration screws A to the holes at the left side of the outer door (reverse of the steps for unscrewing it). See **Figure 4**



5th Step - Tidy and restore the gasket.

--END--

## **ENERGY LABEL**

